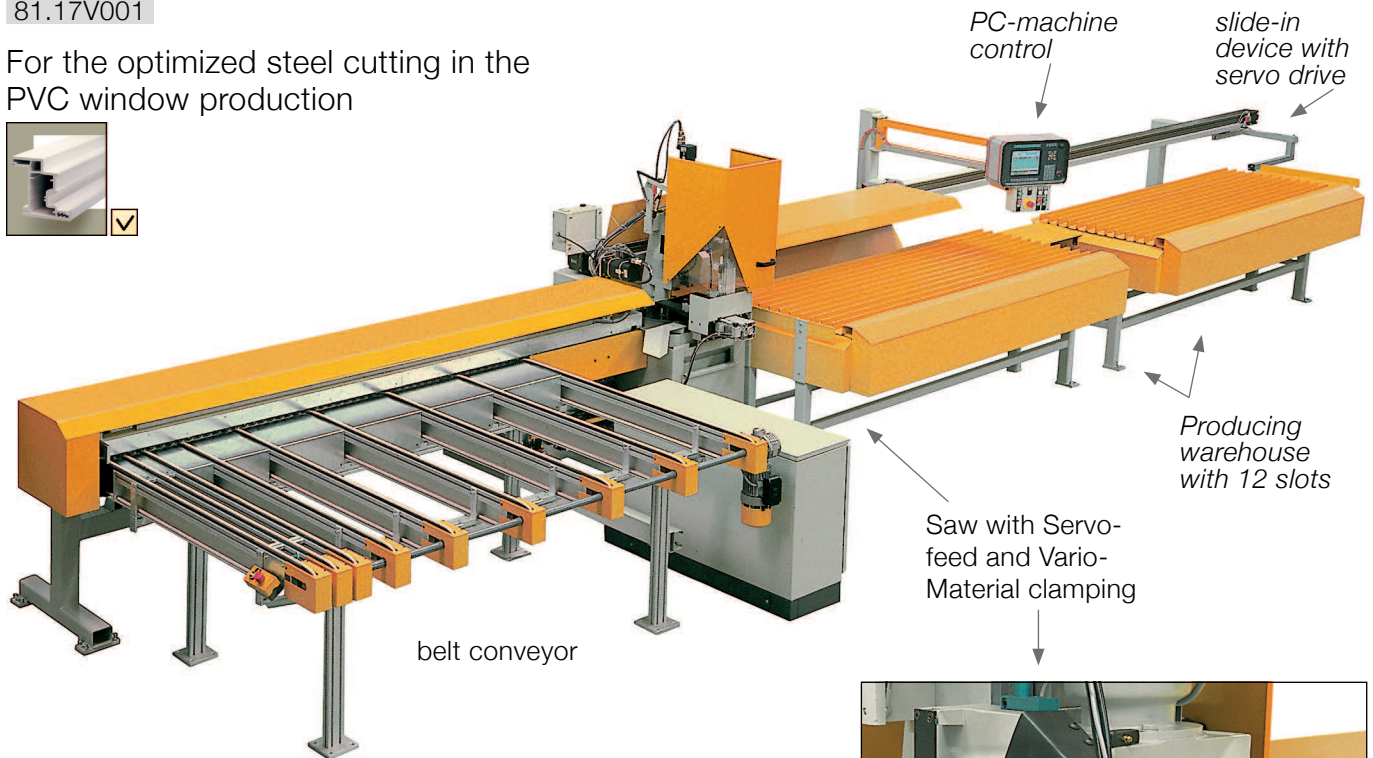
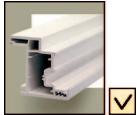


Automatic cutting machine ZA 350

81.17V001

For the optimized steel cutting in the PVC window production



Performance:

Depending on profile cross-section up to 1900 parts per layer. Profile-related programming.

Saw and material feed:

profile-related programming

PC-machine control with floppy drive in parallel mode usable with BAZ 1000

